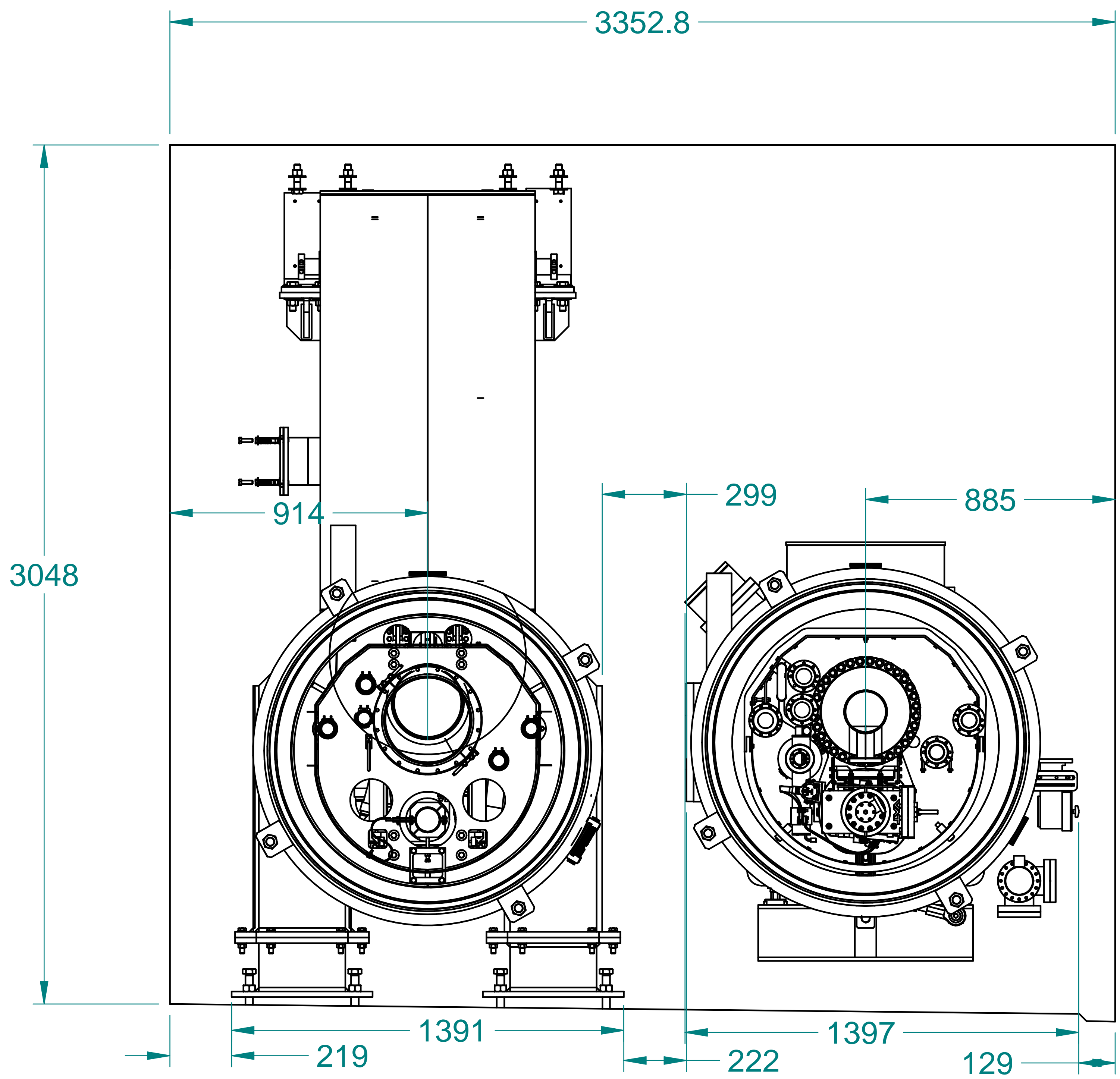


REV	DESCRIPTION	DWN	CHKR	APVD	DATE

D
C
B
A

D
C
B
A

North Wall



NEXT ASSEMBLIES:	DIMENSIONING AND TOLERANCING IS IN ACCORDANCE WITH ASME Y14.5-2009		SCALE: DO NOT SCALE DRAWING	ESTIMATED MASS:	CAD FILE NAME:
	UNLESS OTHERWISE SPECIFIED DIMENSIONS ARE IN MILLIMETERS			THE DRAWINGS, SPECIFICATIONS AND OTHER DATA HEREIN PROVIDED SHALL NOT BE COPIED, PUBLISHED OR OTHERWISE FURTHER DISSEMINATED WITHOUT PRIOR WRITTEN PERMISSION OF STANFORD UNIVERSITY/SLAC	
	TOLERANCES: BREAK EDGES 0.13 - 0.4 INTERNAL CORNERS R 0.4 MAX				
	ANGLE ± ALL SURF ✓		ENGR: _____ DWN: _____ CHKR: _____	DATE: _____ APPROVALS: _____	DRAWING NUMBER: _____

OF
SH