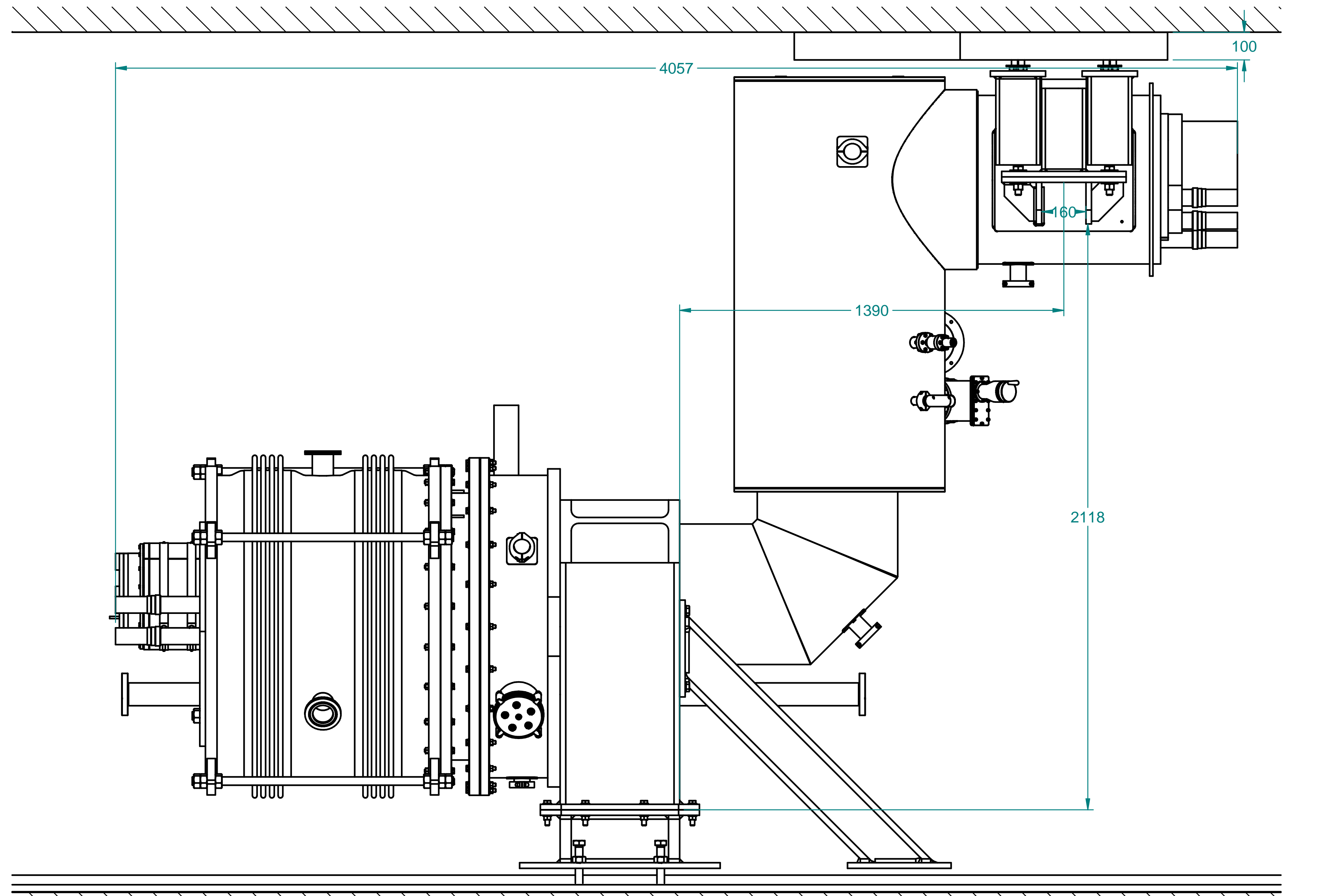
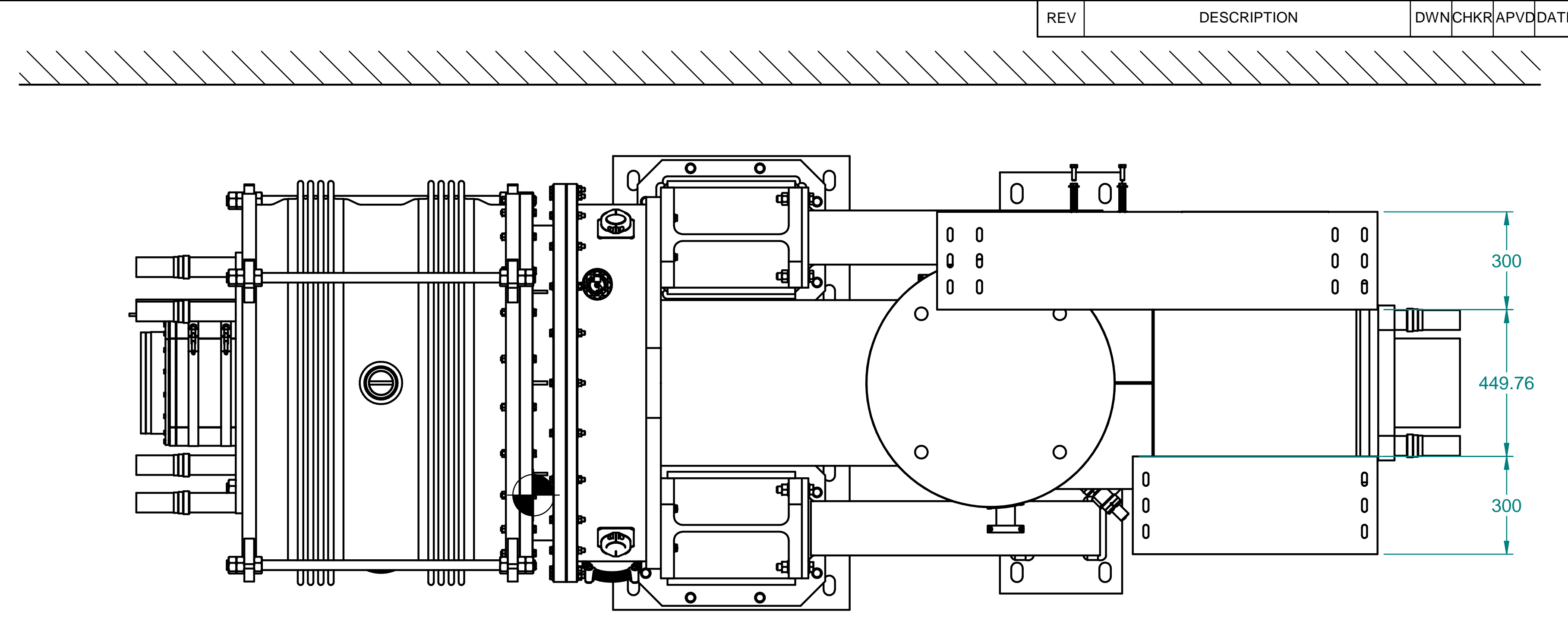


Before bolting ceiling support



REV	DESCRIPTION	DWN	CHKR	APV	DATE

DIMENSIONING AND TOLERANCING IS IAW ASME Y14.5-2009		SCALE: DO NOT SCALE DRAWING	ESTIMATED MASS:	CAD FILE NAME:
UNLESS OTHERWISE SPECIFIED DIMENSIONS ARE IN MILLIMETERS				
TOLERANCES BREAK EDGES 0.13 - 0.4 INTERNAL CORNERS R 0.4 MAX				
ANGLE \neq ALL SURF \checkmark		THE DRAWINGS, SPECIFICATIONS AND OTHER DATA HEREIN PROVIDED SHALL NOT BE COPIED, PUBLISHED OR OTHERWISE FURTHER DISSEMINATED WITHOUT PRIOR WRITTEN PERMISSION OF STANFORD UNIVERSITY/SLAC		
ENGR	DWN	CHKR	APPROVALS	DATE
NEXT ASSEMBLIES:		DRAWING NUMBER		REVISION NUMBER