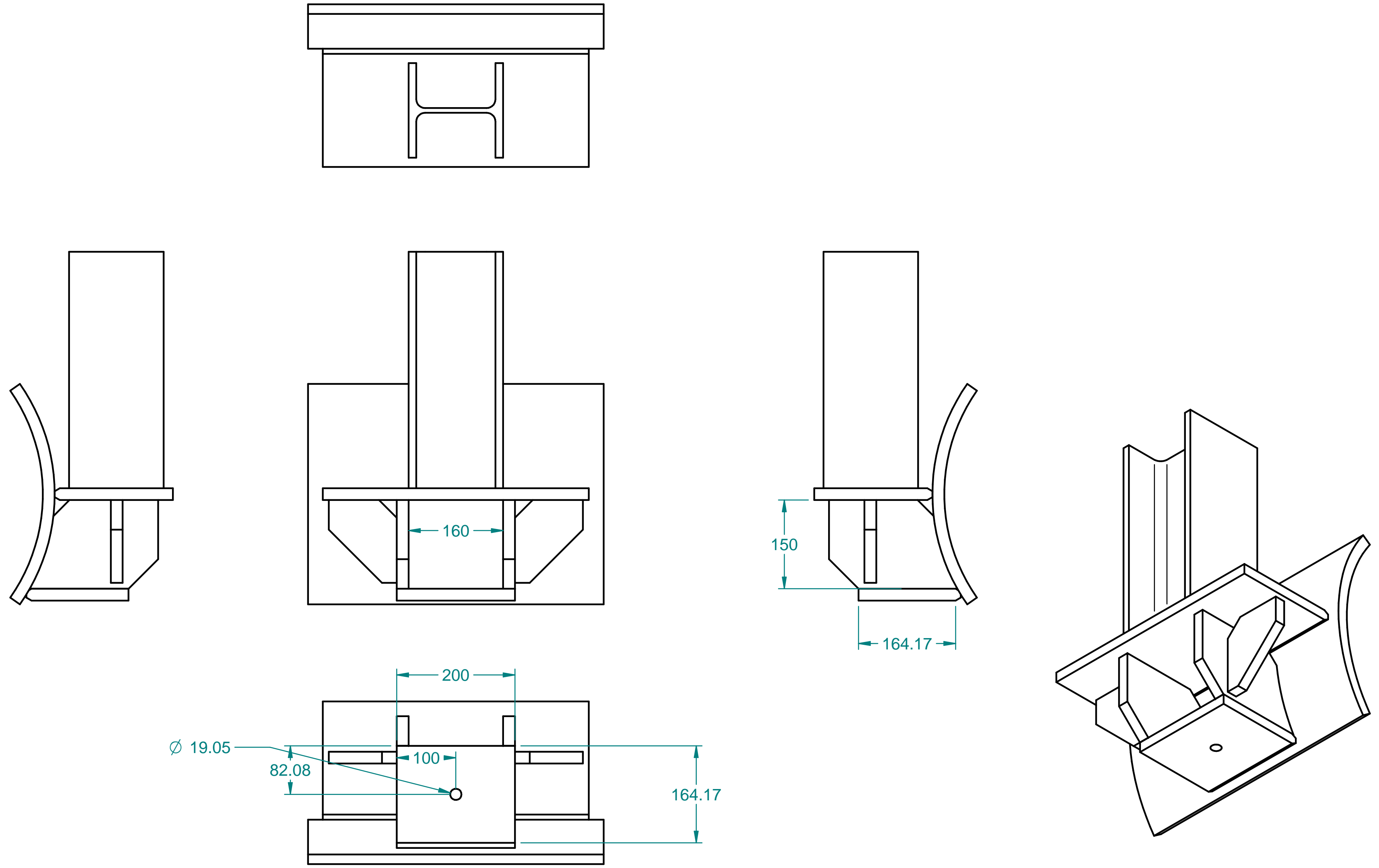


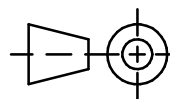


| REV | DESCRIPTION | DWN | CHKR | APVD | DATE |
|-----|-------------|-----|------|------|------|
| | | | | | |



| | | | | | | | | | | | | | | | | | | | | |
|---|-------|--|-----------------|----------------|-------|--------|--------|--------|--------|--------------------|-------|-------|-------|-------|-------|-------|-----|-----------|----------------|--|
| DIMENSIONING AND TOLERANCING IS IAW ASME Y14.5-2009 | | SCALE: DO NOT SCALE DRAWING | ESTIMATED MASS: | CAD FILE NAME: | | | | | | | | | | | | | | | | |
| UNLESS OTHERWISE SPECIFIED DIMENSIONS ARE IN MILLIMETERS TOLERANCES: BREAK EDGES 0.13 - 0.4 INTERNAL CORNERS R 0.4 MAX | |   U.S. DEPARTMENT OF ENERGY | | | | | | | | | | | | | | | | | | |
| ANGLE ± ALL SURF ✓  | | THE DRAWINGS, SPECIFICATIONS AND OTHER DATA HEREIN PROVIDED SHALL NOT BE COPIED, PUBLISHED OR OTHERWISE FURTHER DISSEMINATED WITHOUT PRIOR WRITTEN PERMISSION OF STANFORD UNIVERSITY/SLAC | | | | | | | | | | | | | | | | | | |
| NEXT ASSEMBLIES: | | ENGR _____ | APPROVALS | | | | | | | | | | | | | | | | | |
| <table border="1"> <tr> <td>DIMENSIONS</td> <td>< 6</td> <td>> 6</td> <td>> 30</td> <td>> 120</td> <td>> 315</td> <td>> 1000</td> <td>> 2000</td> </tr> <tr> <td>GENERAL TOLERANCES</td> <td>± 0.1</td> <td>± 0.2</td> <td>± 0.3</td> <td>± 0.5</td> <td>± 0.8</td> <td>± 1.2</td> <td>± 2</td> </tr> </table> | | DIMENSIONS | < 6 | > 6 | > 30 | > 120 | > 315 | > 1000 | > 2000 | GENERAL TOLERANCES | ± 0.1 | ± 0.2 | ± 0.3 | ± 0.5 | ± 0.8 | ± 1.2 | ± 2 | DWN _____ | DRAWING NUMBER | |
| DIMENSIONS | < 6 | > 6 | > 30 | > 120 | > 315 | > 1000 | > 2000 | | | | | | | | | | | | | |
| GENERAL TOLERANCES | ± 0.1 | ± 0.2 | ± 0.3 | ± 0.5 | ± 0.8 | ± 1.2 | ± 2 | | | | | | | | | | | | | |
| | | CHKR _____ | REVISION NUMBER | | | | | | | | | | | | | | | | | |