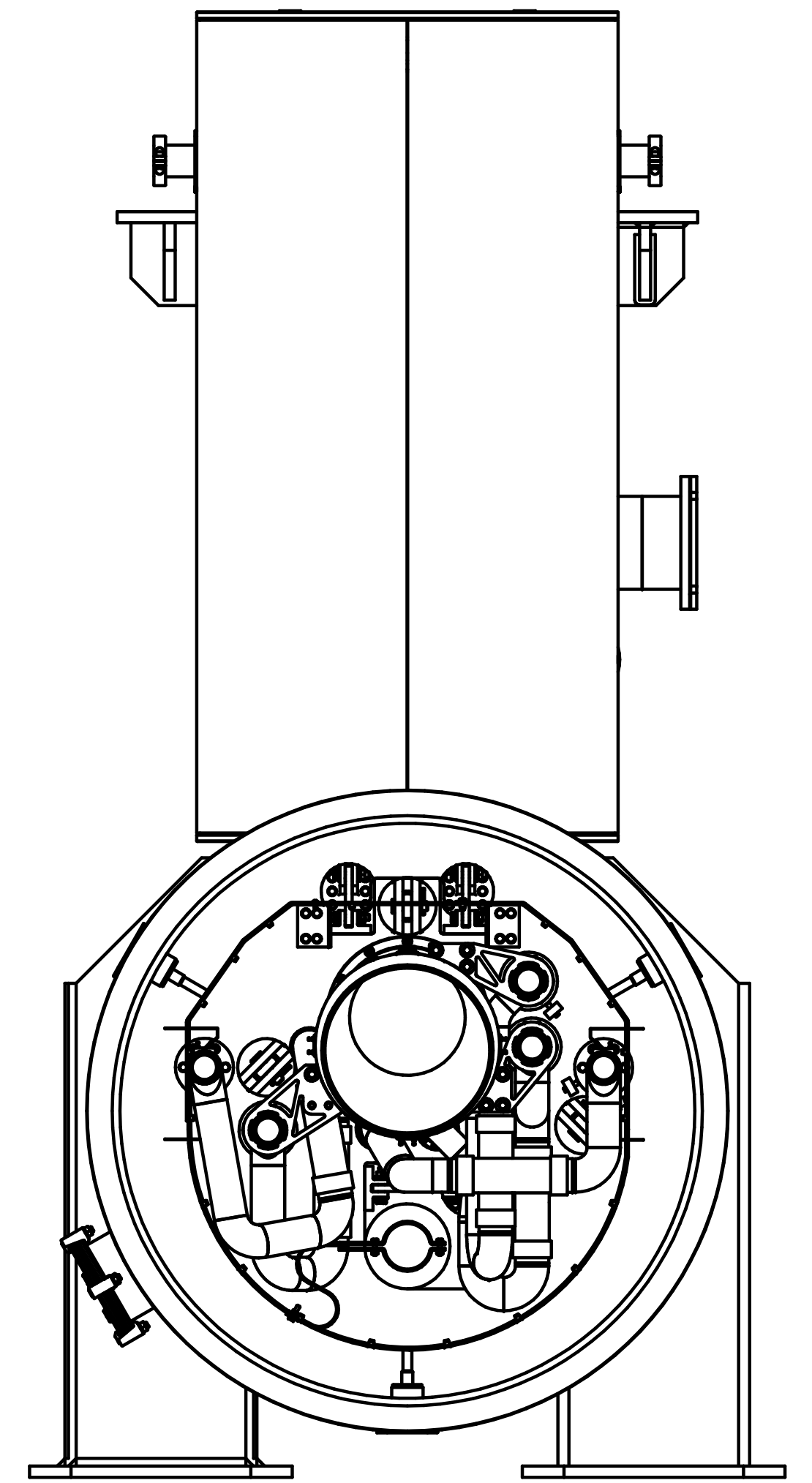
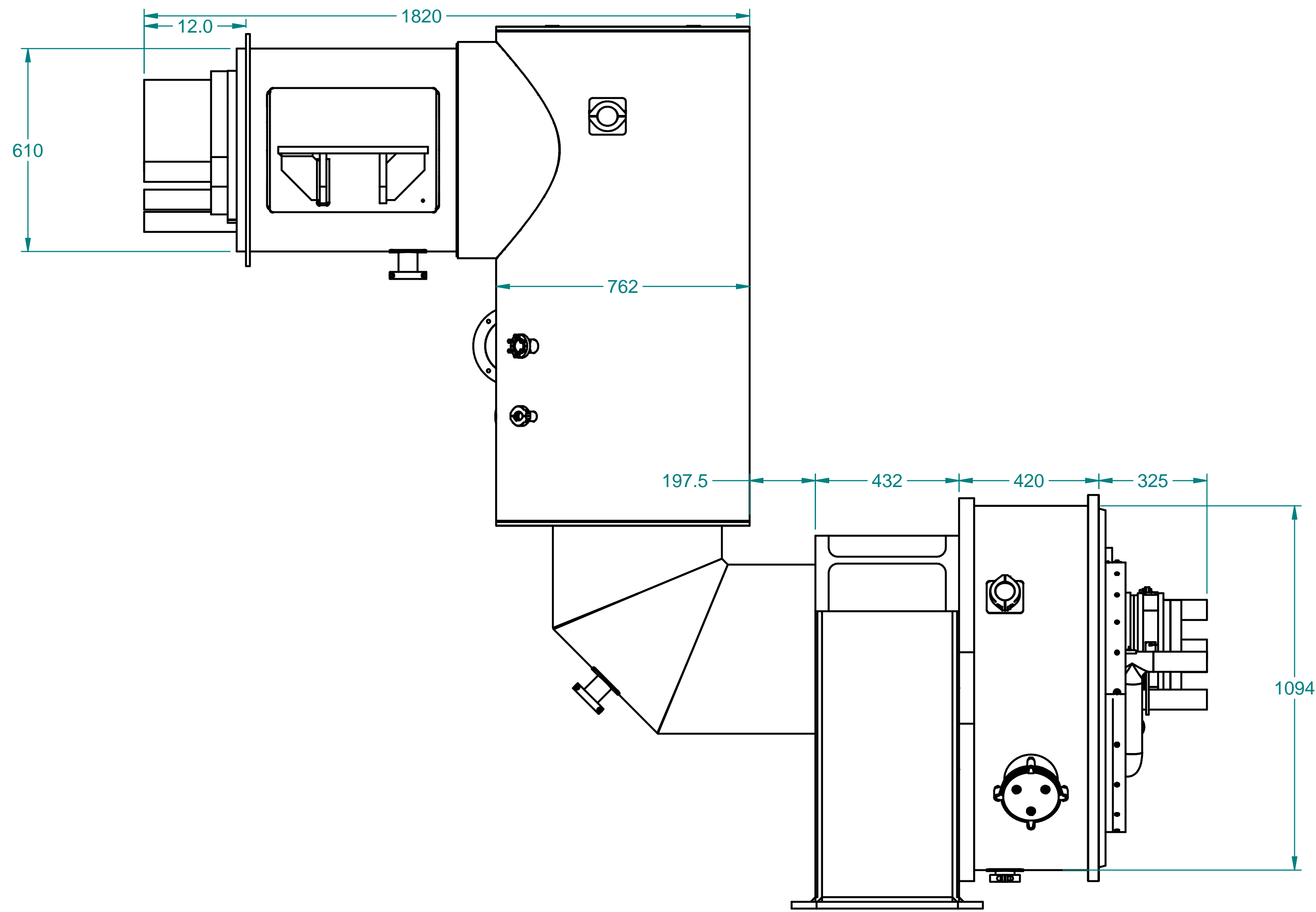
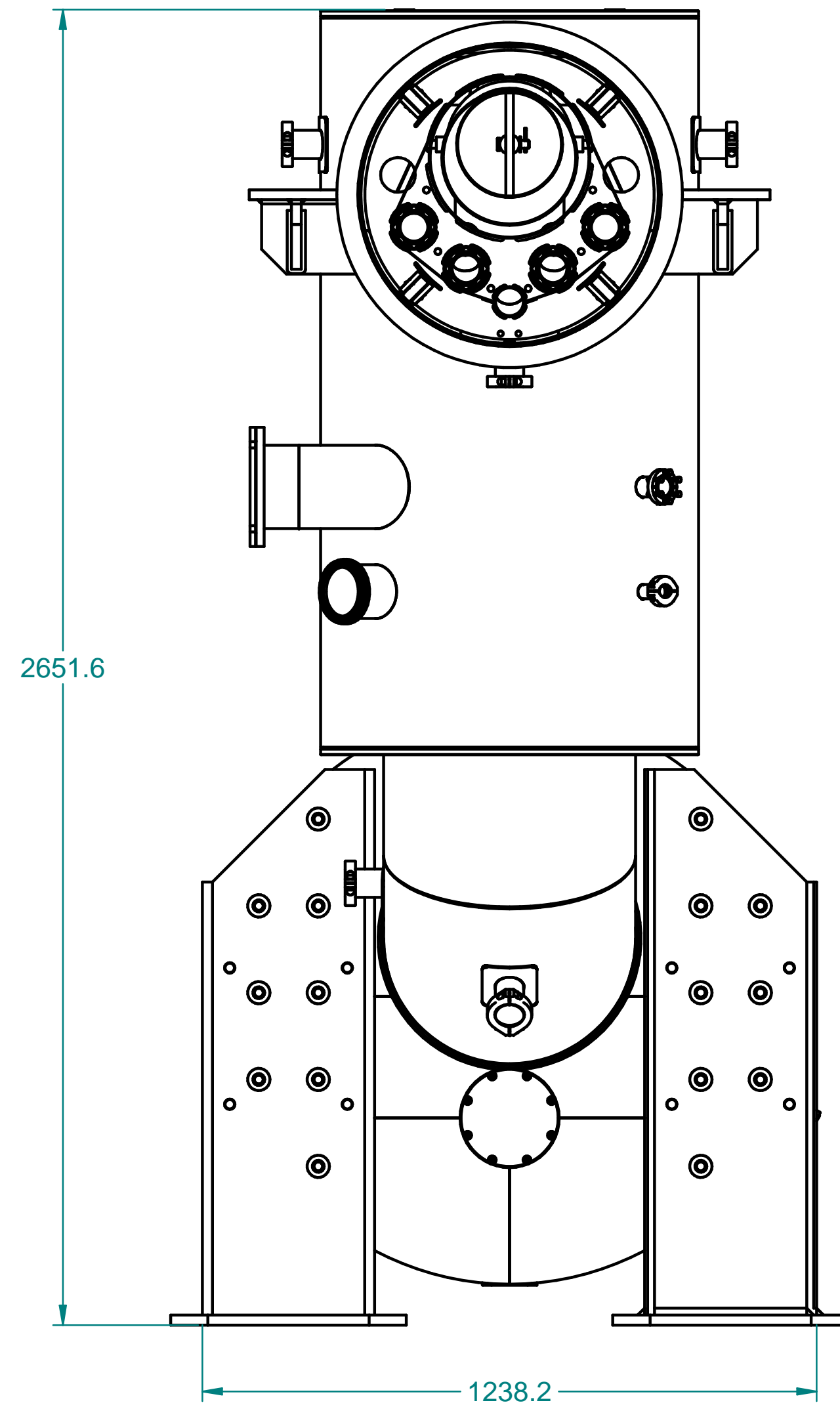


# FC2 / FC4



REV	DESCRIPTION	DWN	CHKR	APVD	DATE

NEXT ASSEMBLIES:	DIMENSIONING AND TOLERANCING IS IAW ASME Y14.5-2009		SCALE: DO NOT SCALE DRAWING	ESTIMATED MASS:	CAD FILE NAME:																
	UNLESS OTHERWISE SPECIFIED DIMENSIONS ARE IN MILLIMETERS TOLERANCES: BREAK EDGES 0.13 - 0.4 INTERNAL CORNERS R 0.4 MAX		 <b>SLAC</b> <small>NATIONAL ACCELERATOR LABORATORY</small>  <b>U.S. DEPARTMENT OF ENERGY</b>	<small>THE DRAWINGS, SPECIFICATIONS AND OTHER DATA HEREIN PROVIDED SHALL NOT BE COPIED, PUBLISHED OR OTHERWISE FURTHER DISSEMINATED WITHOUT PRIOR WRITTEN PERMISSION OF STANFORD UNIVERSITY/SLAC</small>																	
ANGLE ± ALL SURF ✓ <table border="1"> <tr> <td>DIMENSIONS</td> <td>&lt; 6</td> <td>&gt; 6</td> <td>&gt; 30</td> <td>&gt; 120</td> <td>&gt; 315</td> <td>&gt; 1000</td> <td>&gt; 2000</td> </tr> <tr> <td>GENERAL TOLERANCES</td> <td>± 0.1</td> <td>± 0.2</td> <td>± 0.3</td> <td>± 0.5</td> <td>± 0.8</td> <td>± 1.2</td> <td>± 2</td> </tr> </table>		DIMENSIONS				< 6	> 6	> 30	> 120	> 315	> 1000	> 2000	GENERAL TOLERANCES	± 0.1	± 0.2	± 0.3	± 0.5	± 0.8	± 1.2	± 2	ENGR _____ DATE _____ DWN _____ CHKR _____
DIMENSIONS	< 6	> 6	> 30	> 120	> 315	> 1000	> 2000														
GENERAL TOLERANCES	± 0.1	± 0.2	± 0.3	± 0.5	± 0.8	± 1.2	± 2														